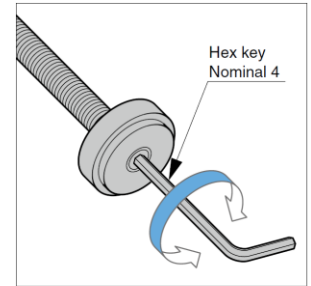
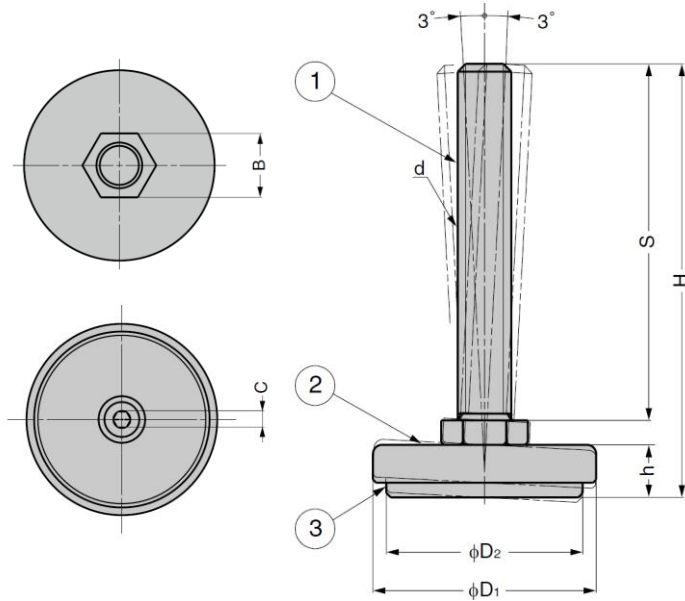


GMKRL Levelling Glide (With Swivel)

Features

- Black chromate finish
- Swivels approximately 6° to compensate for uneven floors
- With swivel function to distribute the load evenly for excellent durability
- Double structure of cover/bolt and base allow easy height adjustment without lifting the leg
- Hexagon socket at the bottom for easy installation



Can be easily turned with a hex key. (Hex key not included.)

No.	Part Name	Material	Finish/Colour
①	Threaded Bolt	Steel (SWCH)	Black Chromate (Trivalent)
②	Cover	Steel (SPCC)	
③	Base	Elastomer (TPE)	Black

Part No.	d	D ₁	D ₂	H	h	S	B	C	Load Capacity (per piece)	
GMKRL-32-10-80B6	M10	32	27	95.8	10.8	80	17	4	588 N	60 kg
GMKRL-32-12-66B6	M12			81.8		66			735 N	75 kg
GMKRL-32-12-80B6	M10	40	34	95.8	80	11.2			588 N	60 kg
GMKRL-40-10-80B6				96.2	80					
GMKRL-40-12-32B6				48.2	32					
GMKRL-40-12-43B6				59.2	43					
GMKRL-40-12-55B6				71.2	55					
GMKRL-40-12-80B6				96.2	80					
GMKRL-40-12-120B6	M12	50	44	136.2	120	11.8			588 N	60 kg
GMKRL-50-12-80B6				96.8	80					
GMKRL-50-12-120B6				136.8	120					
GMKRL-50-16-78B6	M16	70	64	100.3	11.5	78.5			24	784 N
GMKRL-70-20-101B6	M20			124.5		101	30			